

Metadata of the chapter that will be visualized online

Chapter Title	Translational Control of <i>GCN4</i>	
Copyright Year	2012	
Copyright Holder	Springer Science+Business Media, LLC	
Corresponding Author	Family Name	You
	Particle	
	Given Name	Tao
	Suffix	
	Division/Department	Computational Biology, Innovative Medicines
	Organization/University	AstraZeneca
	Street	Mereside, Alderley Park
	City	Macclesfield
	State	Cheshire
	Postcode	SK10 4TG
	Country	UK
	Phone	+44 (0)1625 514733
	Email	youtao80@gmail.com
Author	Family Name	Coghill
	Particle	
	Given Name	George M.
	Suffix	
	Division/Department	Institute for Complex System & Mathematical Biology
	Organization/University	University of Aberdeen
	Street	Foresterhill
	City	Aberdeen
	Postcode	AB25 2ZD
	Country	UK
	Phone	+44 (0)1224 273829
	Email	g.coghill@abdn.ac.uk
Author	Family Name	Brown
	Particle	
	Given Name	Alistair J. P.
	Suffix	
	Division/Department	Microbiology
	Organization/University	Institute of Medical Sciences, University of Aberdeen

Street	Foresterhill
City	Aberdeen
Postcode	AB25 2ZD
Country	UK
Phone	+44 (0)1224 555883
Fax	+44 (0)1224 555844
Email	al.brown@abdn.ac.uk



T

2 **Translational Control of *GCN4***

3 Tao You¹, George M. Coghill² and
4 Alistair J. P. Brown³

5 ¹Computational Biology, Innovative Medicines,
6 AstraZeneca, Macclesfield, Cheshire, UK

7 ²Institute for Complex System & Mathematical
8 Biology, University of Aberdeen, Aberdeen, UK

9 ³Microbiology, Institute of Medical Sciences,
10 University of Aberdeen, Aberdeen, UK

11 **Synonyms**

12 *GCN* control; *Gcn2*-dependent general translational
13 control; uORF-mediated translational control in
14 eukaryotes

15 **Definition**

16 In yeast, the *GCN4* (General Control Nonderepressible
17 4) gene mediates responses to environmental stress
18 conditions including amino acid starvation. Its expres-
19 sion level is primarily controlled at the translational
20 level. The *GCN4* mRNA has a long 5'-leader sequence
21 of approximately 600-nucleotide that contains four
22 upstream open reading frames (►uORFs). Under
23 normal conditions, these uORFs impede the translation
24 of the protein coding region via a mechanism that
25 inhibits scanning of ►ternary complexes during the
26 translation initiation pathway to the main *GCN4* cod-
27 ing region. Under various types of environmental
28 stress, ternary complex levels are reduced, and the
29 inhibition of *GCN4* mRNA translation by the uORFs

is alleviated. Similar control mechanisms regulate the 30
expression of other genes in yeast and are conserved in 31
other eukaryotic organisms. 32

Characteristics 33

***Gcn2*-Dependent General Translational Control** 34

In eukaryotic cells, the ternary complex (TC) 35
(comprising eIF2, GTP, and initiator tRNA Met- 36
tRNA_i) is required for ►translation initiation. The 37
G-protein eIF2 has roughly tenfold higher affinity for 38
GDP than GTP. The guanine nucleotide exchange 39
factor eIF2B replaces this GDP for GTP only on the 40
unphosphorylated form of eIF2 (Hinnebusch 2005). 41

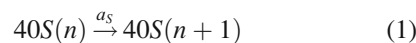
The yeast kinase *Gcn2* (*GCN2*, *PERK*, *PKR*, and 42
HRI in mammals) senses environmental stress (*Fig. 1*). 43
Environmental cues such as amino acid starvation 44
cause cytosolic accumulation of uncharged tRNA's, 45
which consequently activate *Gcn2*. Its HisRS domain 46
(histidyl-tRNA synthetase homologous) selectively 47
binds uncharged tRNA's, and to activate the protein. 48
Active *Gcn2* phosphorylates eIF2 at the serine 51 49
residue in the eIF2 α subunit, thereby enhancing its 50
affinity for eIF2B. Phosphorylated eIF2 is 51
a ►competitive inhibitor of unphosphorylated eIF2, 52
and reduces eIF2B activity. This lowers the rate of 53
formation of ternary complex, and impedes general 54
mRNA translation (Hinnebusch 2005). 55

Stochastic modeling of translational control of *GCN4* mRNA 56

The 5'-leader sequence of *GCN4* mRNA contains four 58
short uORFs (*Fig. 2a*). The translational control 59
remains intact in the absence of uORF2 and uORF3, 60

61 and therefore for the sake of simplicity, we consider
 62 a construct that does not include these two uORFs
 63 (Fig. 2b). A ▶ 40S ribosomal subunit loads onto the
 64 5'-end (i.e., beginning) of the mRNA in a closed
 65 conformation that is incompatible with ▶ scanning.
 66 Subsequently, it binds a ▶ TC, changes its conforma-
 67 tion, and starts scanning toward the start codon (usu-
 68 ally the 5'-proximal AUG). The 40S ribosomal subunit
 69 recognizes the ▶ start codon and initiates translation at
 70 uORF1 (Fig. 2b). Upon translational termination at
 71 uORF1, the ▶ 60S ribosomal subunit dissociates from
 72 the ribosome, and approximately 50% of 40S ribo-
 73 somal subunits remain attached to the *GCN4* mRNA
 74 and restarts scanning due to the properties of the
 75 mRNA sequence immediately 3' to the uORF1 ▶ stop
 76 codon. When amino acids are replete, TC is abundant.
 77 Hence, there is a high probability that the scanning 40S
 78 ribosomal subunit will bind a TC before reaching
 79 uORF4 (Fig. 2c). As a result, most 40S ribosomal
 80 subunits then reinitiate at uORF4 and subsequently
 81 disassociate from the *GCN4* mRNA due to the inhibi-
 82 tory nature of the sequence immediately 3' to the
 83 uORF4 stop codon. Consequently, under replete con-
 84 ditions, the probability that a 40S ribosomal subunit
 85 will reach the protein coding region is low. Under
 86 conditions which activate Gcn2, ternary complex
 87 levels are reduced. As a result, the 40S ribosomal
 88 subunit is less likely to bind TC between uORF1 and
 89 uORF4, and the 40S ribosomal subunit is more likely
 90 to scan past uORF4. This elevates the chances of
 91 translating the main *GCN4* coding region and increases
 92 *GCN4* protein production (Fig. 2d). This regulation of
 93 *GCN4* gene expression is known as ▶ translational
 94 control of *GCN4* (Hinnebusch 2005).

95 This process can be modeled using the ▶ chemical
 96 master equation. Consider a 40S ribosomal subunit
 97 that scans downstream of uORF1 without steric hin-
 98 drance. Suppose only two reactions are possible:
 99 a unidirectional scanning reaction whereby a 40S ribo-
 100 somal subunit moves forward by one nucleotide with
 101 a ▶ propensity function of $a_S s^{-1}$ (i.e., constant speed),
 102 and a second reaction in which a 40S ribosomal subunit
 103 binds a ternary complex with a propensity function of
 104 $a_D s^{-1}$.



105 Denote the probability density function for a 40S
 106 ribosomal subunit at n nucleotides downstream of
 107 uORF1 at time t as $P(n, t)$. The chemical master equa-
 108 tion states that during the infinitesimal time interval δt ,
 109 the change in $P(n, t)$ is equal to the sum of the proba-
 110 bility of a 40S ribosomal subunit moving into this site
 111 plus the probability that this site is originally occupied
 112 by a 40S ribosomal subunit which does not move
 113 during δt .

$$P(n, t + \delta t) = P(n-1, t)a_S\delta t + P(n, t)(1 - a_S\delta t) \quad (3)$$

$$\times (1 - a_D\delta t)$$

114 Using the boundary condition that a 40S ribosomal
 115 subunit initially starts from nucleotide 0, this equation
 116 can be solved to give:

$$P(n, t) = \frac{a_S^n \cdot t^n}{n!} \exp[-(a_S - a_D)t]. \quad (4)$$

117 Integrating $P(n, t)$ over t , the probability of the 40S
 118 ribosomal subunit being at nucleotide n is

$$P(n) = \int_{t=0}^{\infty} P(n, t) dt = \left(\frac{a_S}{a_S + a_D} \right)^n. \quad (5)$$

119 Equation 5 reveals that $P(n)$ depends on the position
 120 n exponentially. Therefore, the probability that a 40S
 121 ribosomal subunit is at position n and has bound
 122 a ternary complex is $1 - \left(\frac{a_S}{a_S + a_D} \right)^n$. Consequently, the
 123 probability for a 40S ribosomal subunit to reinitiate at
 124 uORF4 is

$$P_{uORF4} = 1 - \left(\frac{a_S}{a_S + a_D} \right)^{n_1}. \quad (6)$$

125 This decreases exponentially with the intercistronic
 126 distance between uORF1 and uORF4 n_1 . This is
 127 supported by the experimental data in Fig. 3a (Grant
 128 et al. 1994).

129 The *GCN4* protein coding region is translated when
 130 a 40S ribosomal subunit binds a ternary complex
 131 between uORF4 and the main *GCN4* open reading
 132 frame. Hence, the probability of a 40S ribosomal
 133 subunit scanning downstream of uORF1 to reinitiate
 134 at *GCN4* can be formulated as:



$$P_{GCN4} = \left(\frac{a_S}{a_S + a_D} \right)^{n_1} \left[1 - \left(\frac{a_S}{a_S + a_D} \right)^{n_2} \right]. \quad (7)$$

135 This model can be extended to include additional
136 factors that might also be required for translation ini-
137 tiation (You et al. 2007, 2011). The spatial hindrance
138 should also be taken into account when crowding
139 effects are significant (You et al. 2011).

140 Cross-References

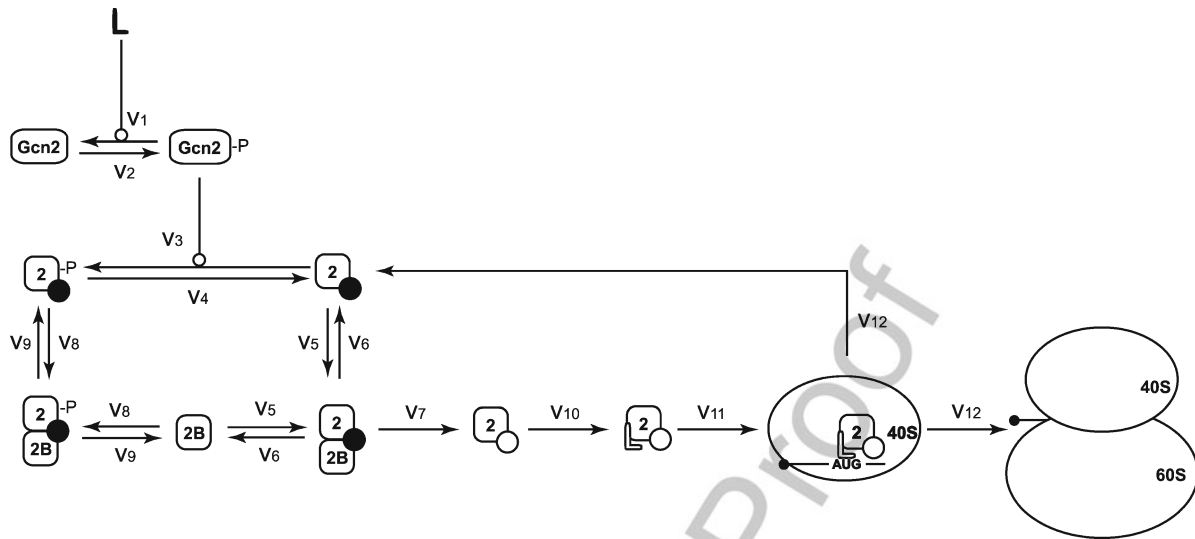
- 141 ▶ [40S Ribosomal Subunit](#)
- 142 ▶ [Chemical Master Equation](#)
- 143 ▶ [Scanning](#)
- 144 ▶ [Start Codon](#)
- 145 ▶ [Stop Codon](#)
- 146 ▶ [Ternary Complex](#)
- 147 ▶ [Translation Initiation](#)
- 148 ▶ [uORF](#)

References

149

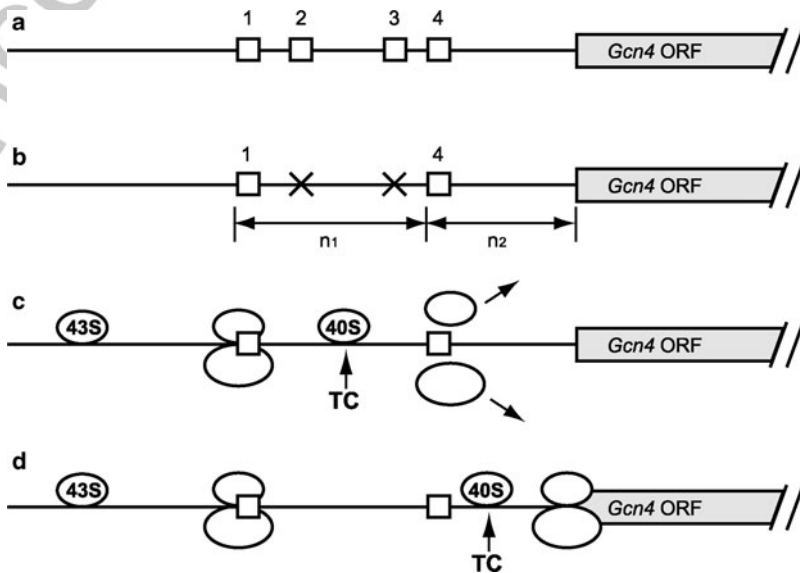
- Grant CM, Miller PF, Hinnebusch AG (1994) Requirements for
150 intercistronic distance and level of eukaryotic initiation
151 factor 2 activity in reinitiation on GCN4 mRNA vary with
152 the downstream cistron. *Mol Cell Biol* 14(4):2616–2628 153
- Hinnebusch AG (2005) Translational regulation of GCN4 and
154 the general amino acid control of yeast. *Annu Rev Microbiol*
155 59:407–450 156
- You T, Coghil GM, Brown AJP (2007) A quantitative model for
157 the translational control of GCN4 in yeast. In: 2nd founda-
158 tions of systems biology in engineering conference proceed-
159 ings, Fraunhofer-Informationszentrum Raum und Bau IRB,
160 Stuttgart, pp 121–126 161
- You T, Stansfield I, Romano MC, Brown AJP, Coghil GM
162 (2011) Analysing GCN4 translational control in yeast by
163 stochastic chemical kinetics modelling and simulation. 164
165 *BMC Syst Biol* 5(1):131

Uncorrected Proof

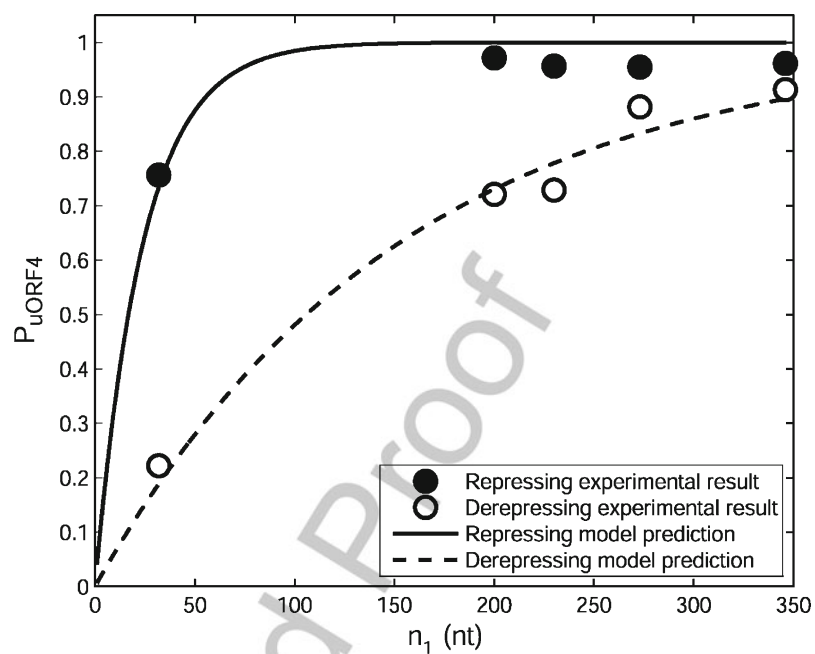


Translational Control of *GCN4*, Fig. 1 Schematic diagram of *Gcn2*-dependent general translational control

Translational Control of *GCN4*, Fig. 2 Schematic diagram of *GCN4* mRNA structure



Translational Control of GCN4, Fig. 3 Probability of translation reinitiation at uORF4 as a function of n_1



Uncorrected Proof